

Dual Band WiFi Terminal Paddle Antenna

PWB-24-58



PWB-24-58

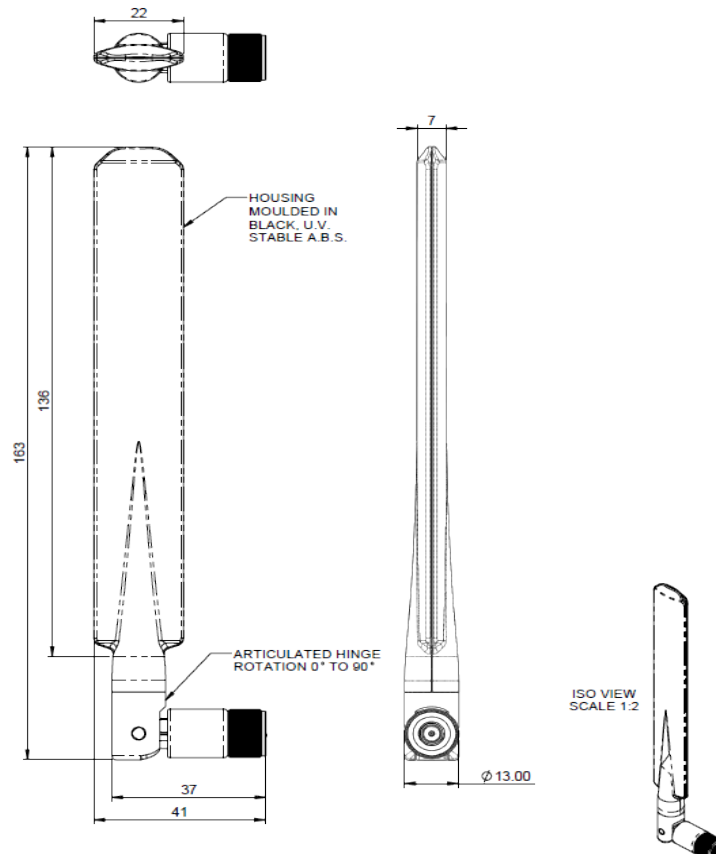
- Dual Band 2.4/5.0GHz
- Suitable for routers and terminals
- Articulated SMA Rev Pol plug
- Also available with standard SMA plug

The PWB-24-58 antenna is a ground plane independent antenna covering 2.4 / 5.0GHz.

Designed as an 'on device' antenna, the PWB-24-58 features an articulated SMA connector for flexible positioning and a sleek profile for low visual impact.

Technical Drawing

PWB-24-58 Shown



Dual Band WiFi Terminal Paddle Antenna

PWB-24-58

Product Data

Part No.

PWB-24-58-RSMAP

PWB-24-58-RSMARV

Electrical Data

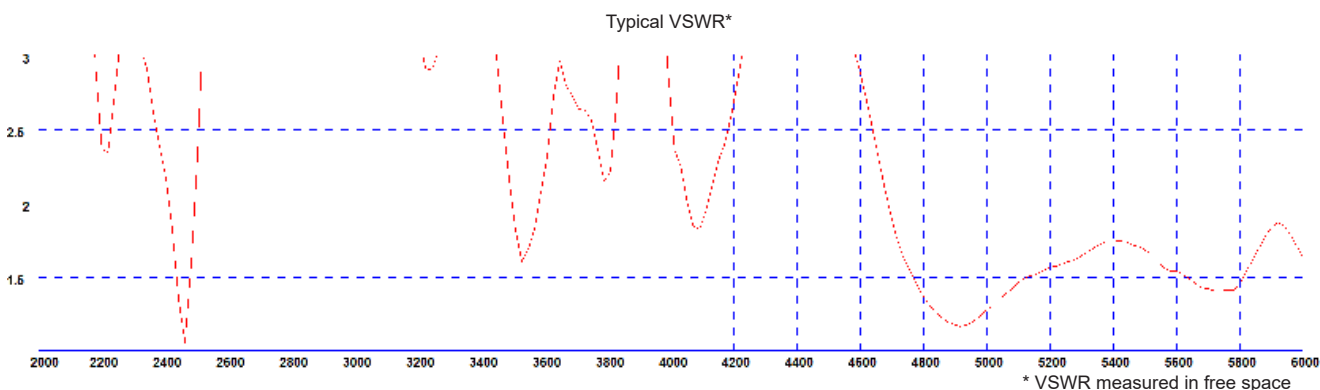
Frequency Range (MHz)	2.396-2.485 / 4.9-6.0GHz	
Operational Band	2.4/5.0GHz WiFi	
Typical VSWR	<2.5:1	
Peak Gain:	2.45GHz	3dBi
Isotropic*	5.4GHz	5dBi
Polarisation	Vertical	
Pattern	Omni-directional	
Impedance	50Ω	
Max Input Power (W)	10	

Mechanical Data

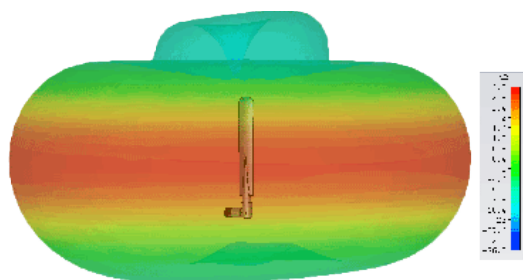
Dimensions (mm)	Length	163 (6.4")
	Width	22(0.8")
	Thickness	7(0.27")
Material	ABS	
Operating Temp (°C)	-22° / 158°F (-30° / +70°C)	
Colour	Black	

Termination Data

Type	Articulated SMA plug	Articulated Reverse Polarity SMA plug
------	----------------------	---------------------------------------



Typical 3D Plot (2450MHz)



Typical 3D Plot (5400MHz)

